

FB32'

A REVOLUTION
ON SMALL MILITARY BOATS



 **FB** DESIGN

A REVOLUTION ON SMALL MILITARY BOATS

Multi Purpose vessel of 3 SIZES: **7 M**
8.5 M
10 M

Available also with 10 different
Power Plants, Diesel or Gasoline:

1 OUTBOARD ENGINE
2 OUTBOARD ENGINES
1 WATER JET DRIVE
2 WATER JET DRIVES
1 STERN DRIVE
2 STERN DRIVES

2 SURFACE DRIVES

2 X 230 HP
2 X 350 HP
2 X 500 HP

2 CONVENTIONAL DRIVES

In 5 DECK CONFIGURATIONS:

OPEN
CENTRAL CONSOLE
LONG CABIN
SHORT CABIN
FRONT OPEN SPACE

TOTAL: $3 \times 10 \times 5 = 150$ versions!

From a very low-cost work boat of 7m..



...up to a Luxury Venice Taxi...



...or a multi-purpose Riverine combat boat

FB32'
A REVOLUTION
ON SMALL MILITARY BOATS

USABLE AS:

Riverine combat up to: **50 KN**

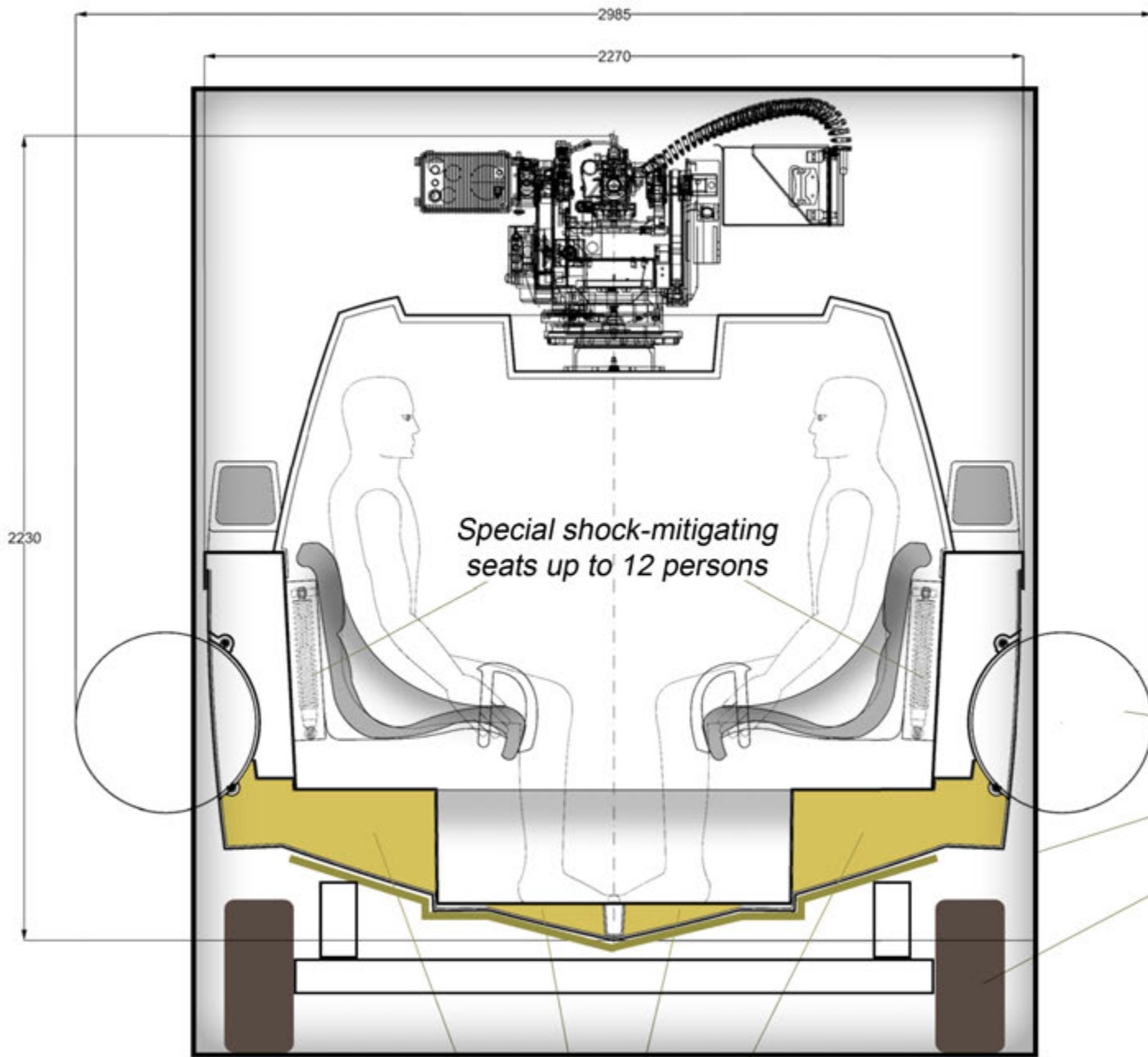
Open sea operations up to: **30 KN**

Work boat of: **7M 8.5M OR 10 M**

- **BRIDGE BOAT**
- **WATER AMBULANCE**
- **FIRE-FIGHTING BOAT**
- **WATER TAXI**
- **DIFFERENT MISSION WORLD-WIDE**

The boat is designed to fit in a 40' container, with a dedicated trailer, complete with Hard top, Radar and automatic Machine Gun with 360° of operative angle.





Closed-cells polyurethane foam of 65 Kg/m³

The boat is totally unsinkable in all possible versions, thanks to the FB Design Structural Foam exclusive technology.

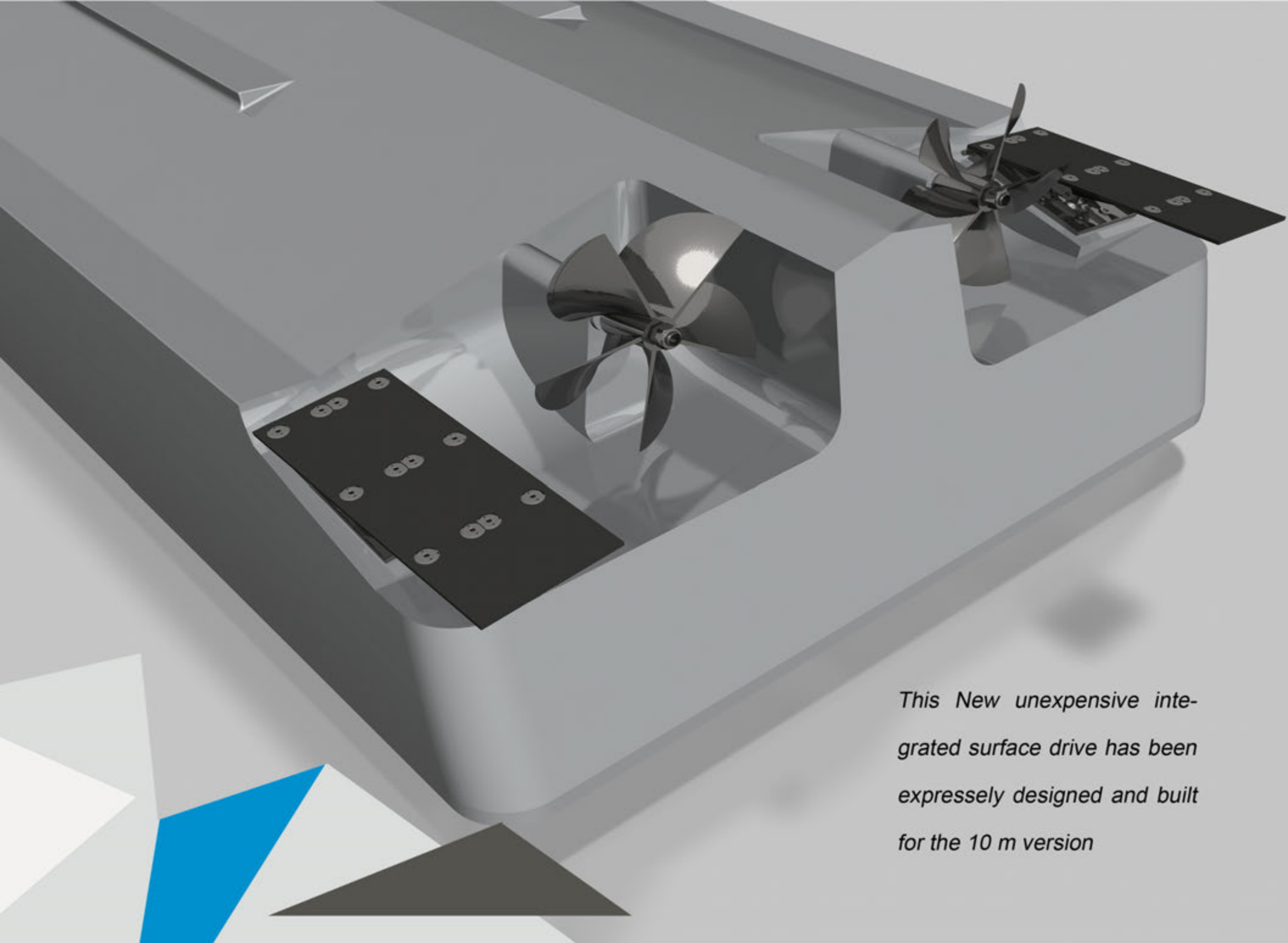
A multi-point injection of foam guarantee the best possible structure while keeping the weight low.

STAB option

40' container

Dedicated trailer

FB32'
A REVOLUTION
ON SMALL MILITARY BOATS



*This New unexpensive inte-
grated surface drive has been
expressely designed and built
for the 10 m version*

Over 10 International Patents are covering
this revolutionary project:



STAB
3TAB SYSTEM
SAFETY RUDDER
STRUCTURAL FOAM
NEW DEDICATED DRIVE
CONTROL SYSTEM, GPS

FB32'
A REVOLUTION
ON SMALL MILITARY BOATS

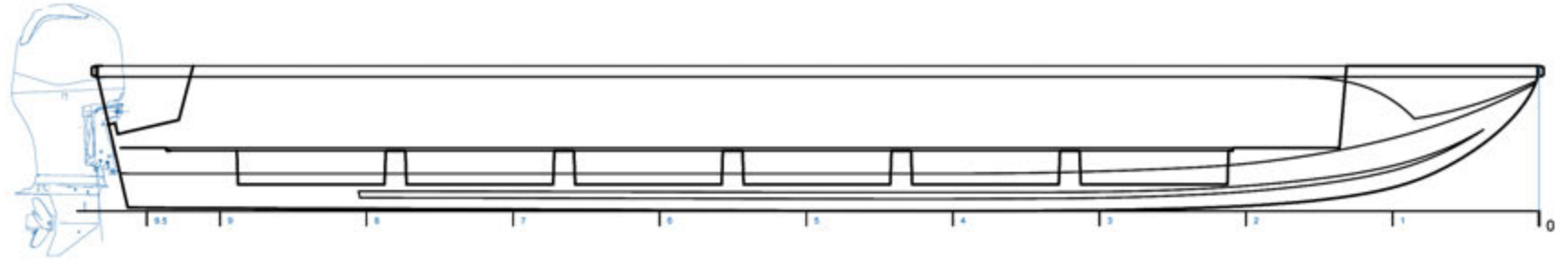




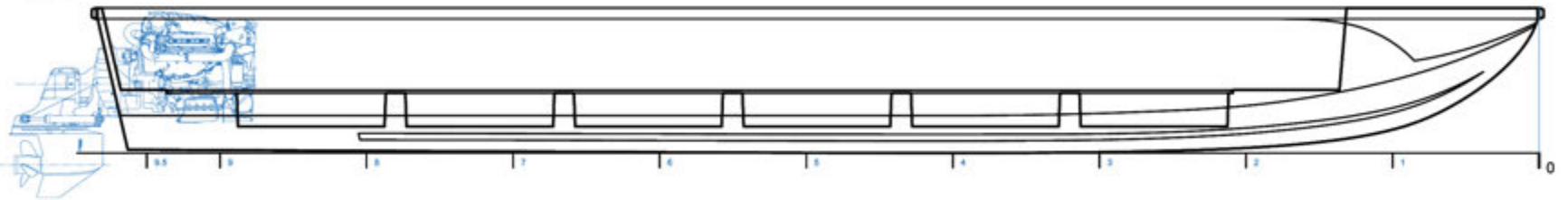
DESIGNED TO CARRY A 3M RIB AND A 4WD QUAD

FB32'
A REVOLUTION
ON SMALL MILITARY BOATS

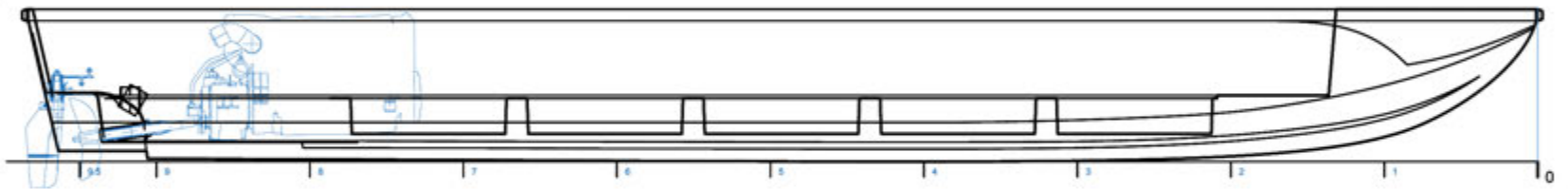
Outboard



Stern drive



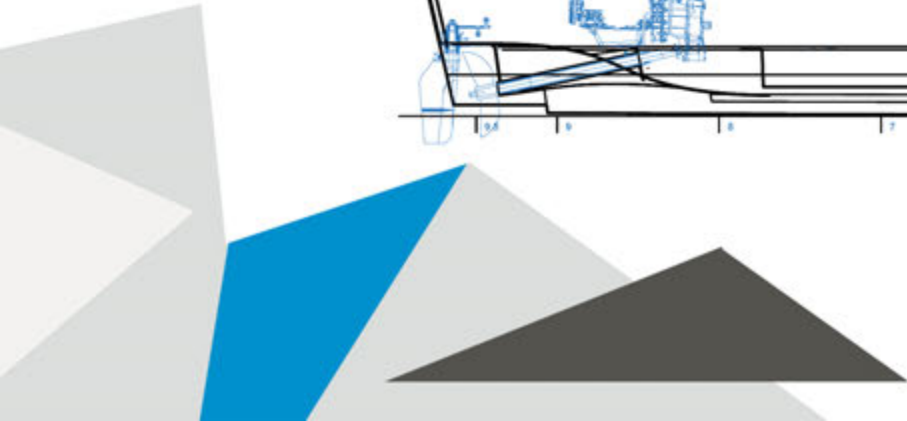
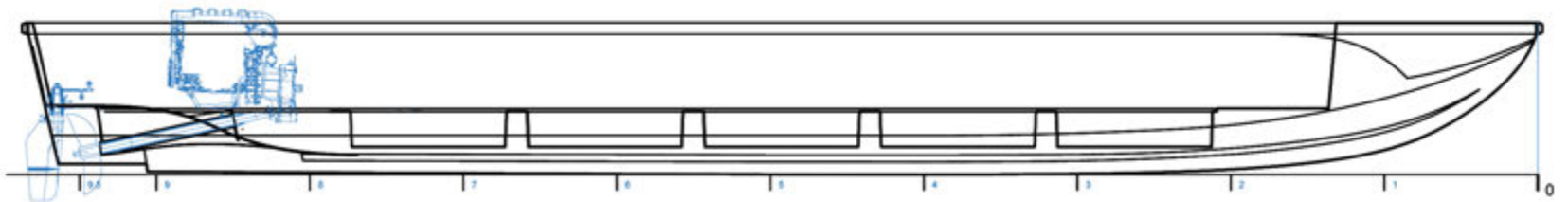
Surface drive

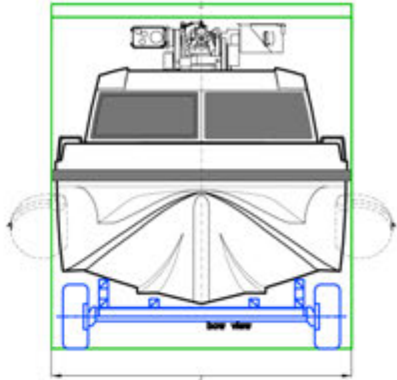
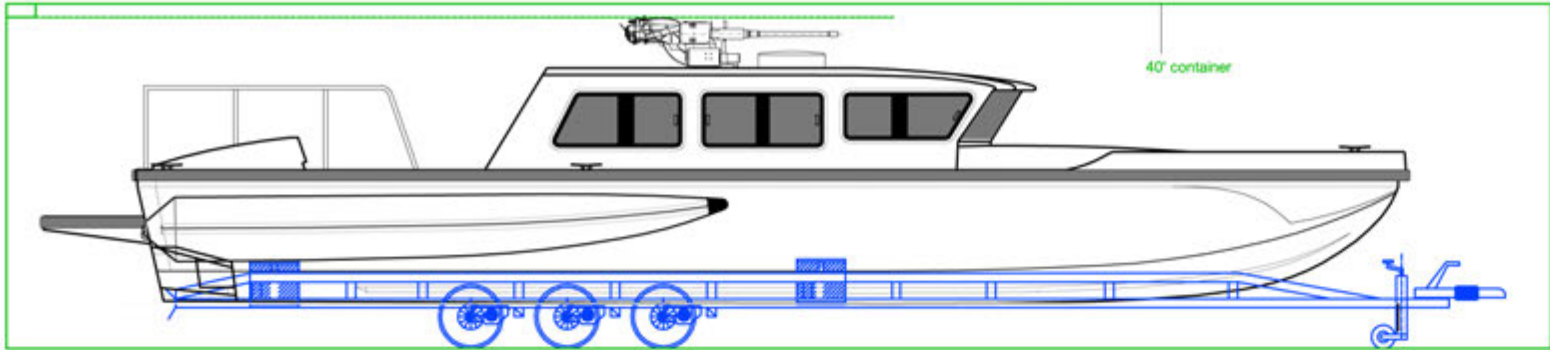


Water-jet

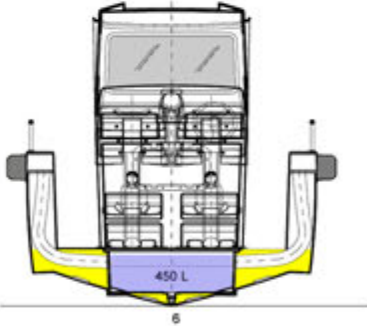
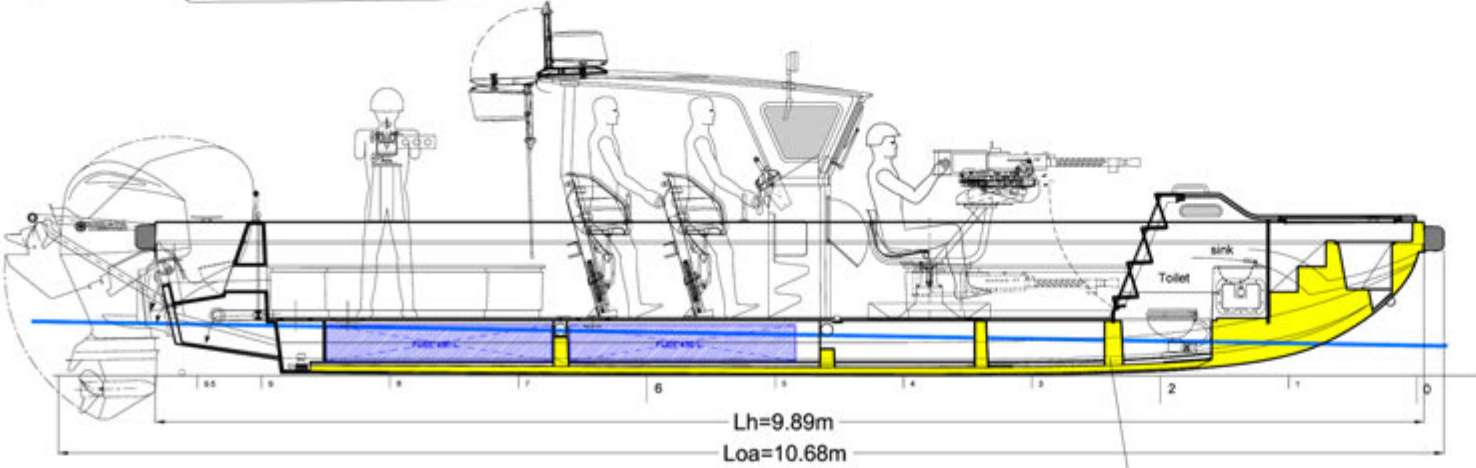
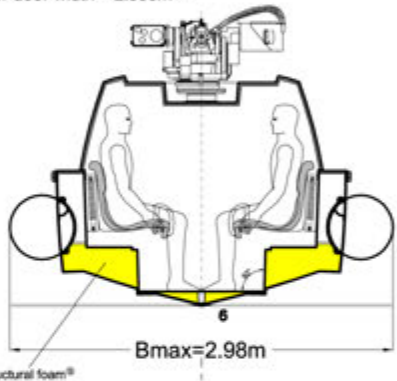
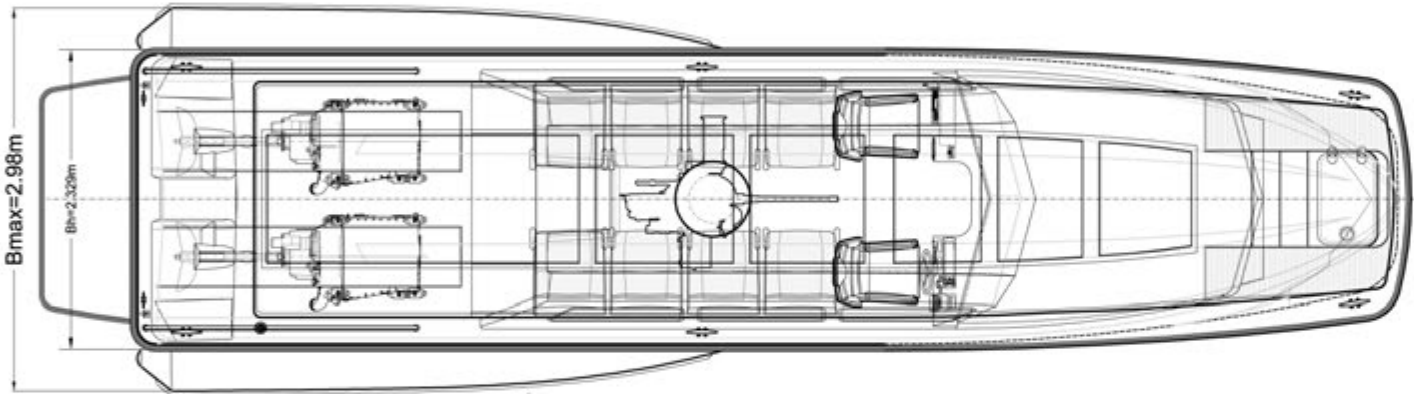


Tunnel drive





40' High Cube Container door width = 2.338m



Structural foam®

FB32'
A REVOLUTION
ON SMALL MILITARY BOATS



 **FB DESIGN**

via Provinciale 73 - 23841 Annone Brianza (LC) - Italy - T. +39 0341 260105 - F. +39 0341 260108

mail@fbdesign.it | www.fbdesign.it